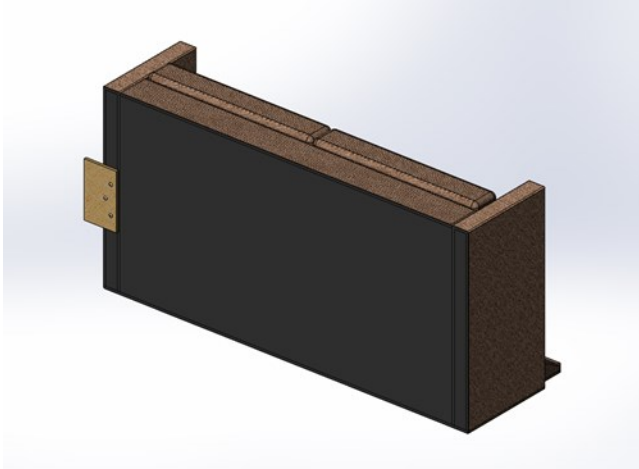


SHIPPING CLEAT REMOVAL

Please exercise caution when handling furniture

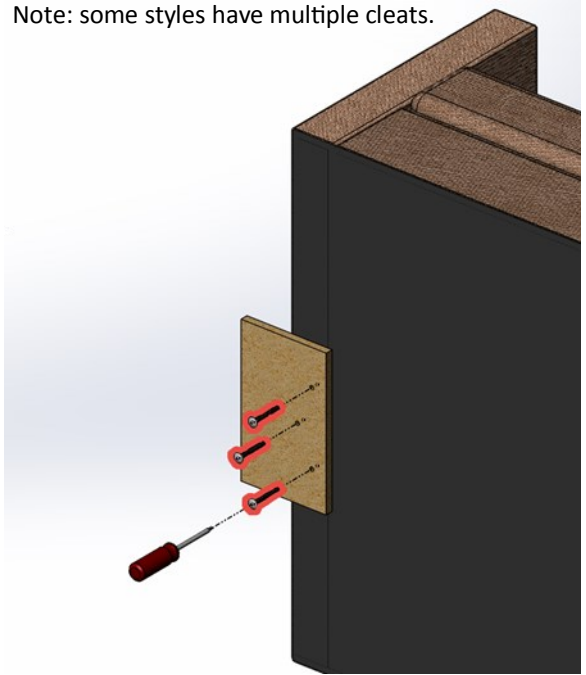
Stationary shipping cleat removal

Step 1: Rest unit on its back.



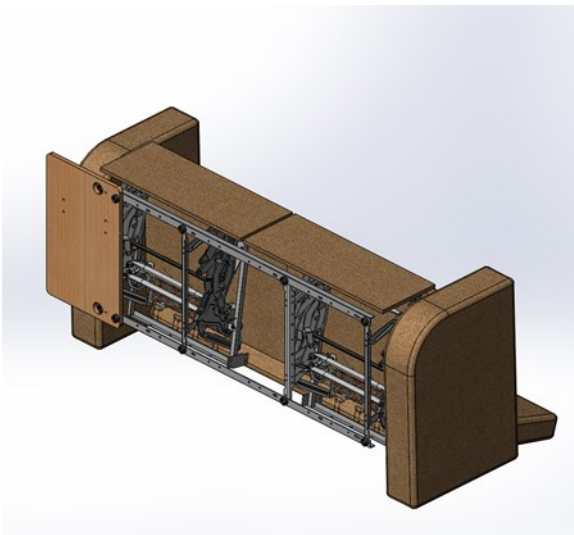
Step 2: Remove Philips head screws and remove cleat.

Note: some styles have multiple cleats.

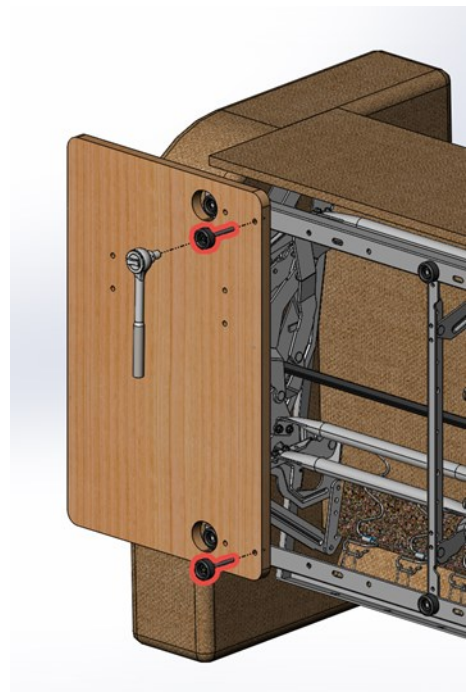


Motion shipping cleat removal

Step 1: Rest unit on its back.

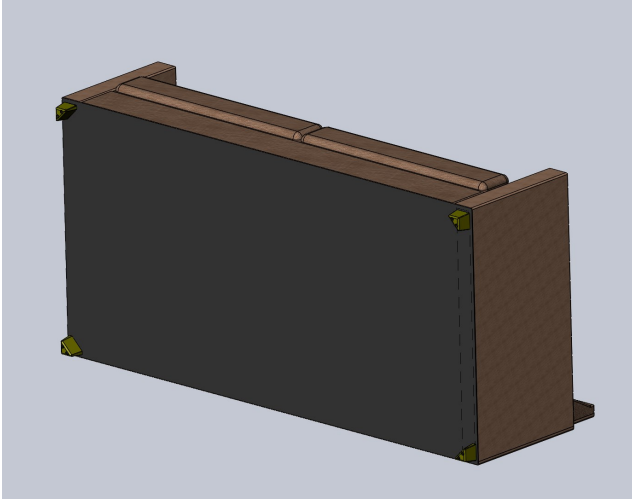


Step 2: Remove two (2) bolts using an 8mm (5/16th inch) socket head and remove cleat.



Shipping Leg Removal

Step 1: Rest unit on its back.



Step 2: Remove (4) shipping legs and discard before applying show legs.

