

WINSTON DINING TABLE ASSEMBLY INSTRUCTIONS

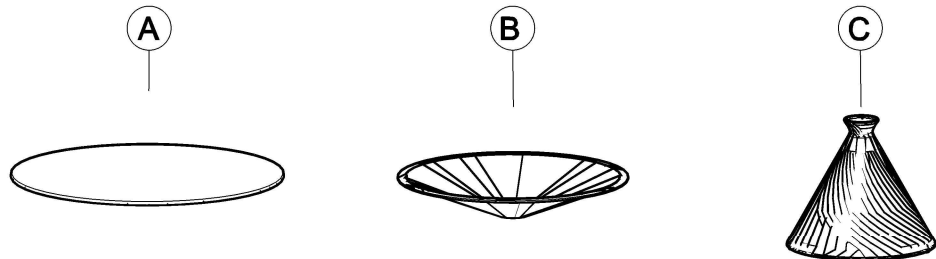


PARTS PACKING CONFIGURATIONS

BOX #1
A. TABLE TOP

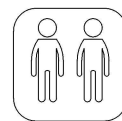
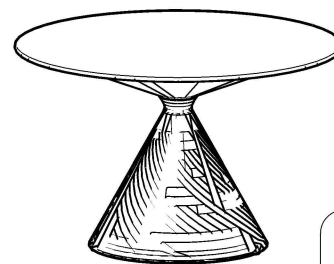
BOX #2
B. TOP SUPPORT

BOX #3
C. BASE

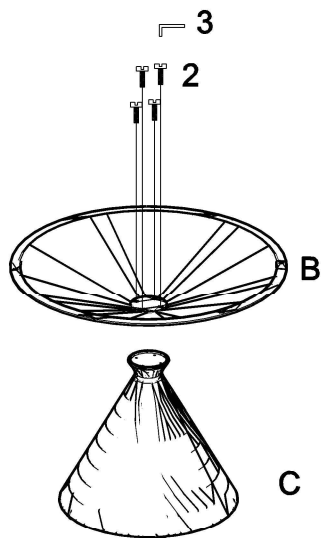


HARDWARE PACKED IN BOX #3

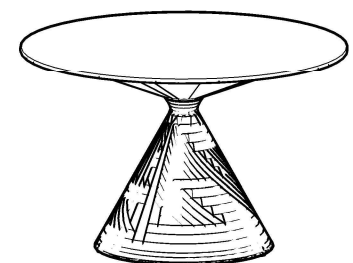
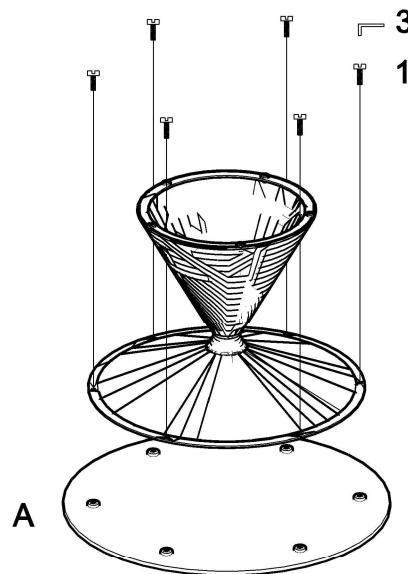
NO	DESCRIPTION	PHOTO	QUANTITY
1	ALLEN BOLT (M8x5mm)		6 PCS
2	ALLEN BOLT (M8x15mm)		4 PCS
3	ALLEN KEY		1 PCS



STEP 1



STEP 2



FULLY ASSEMBLED