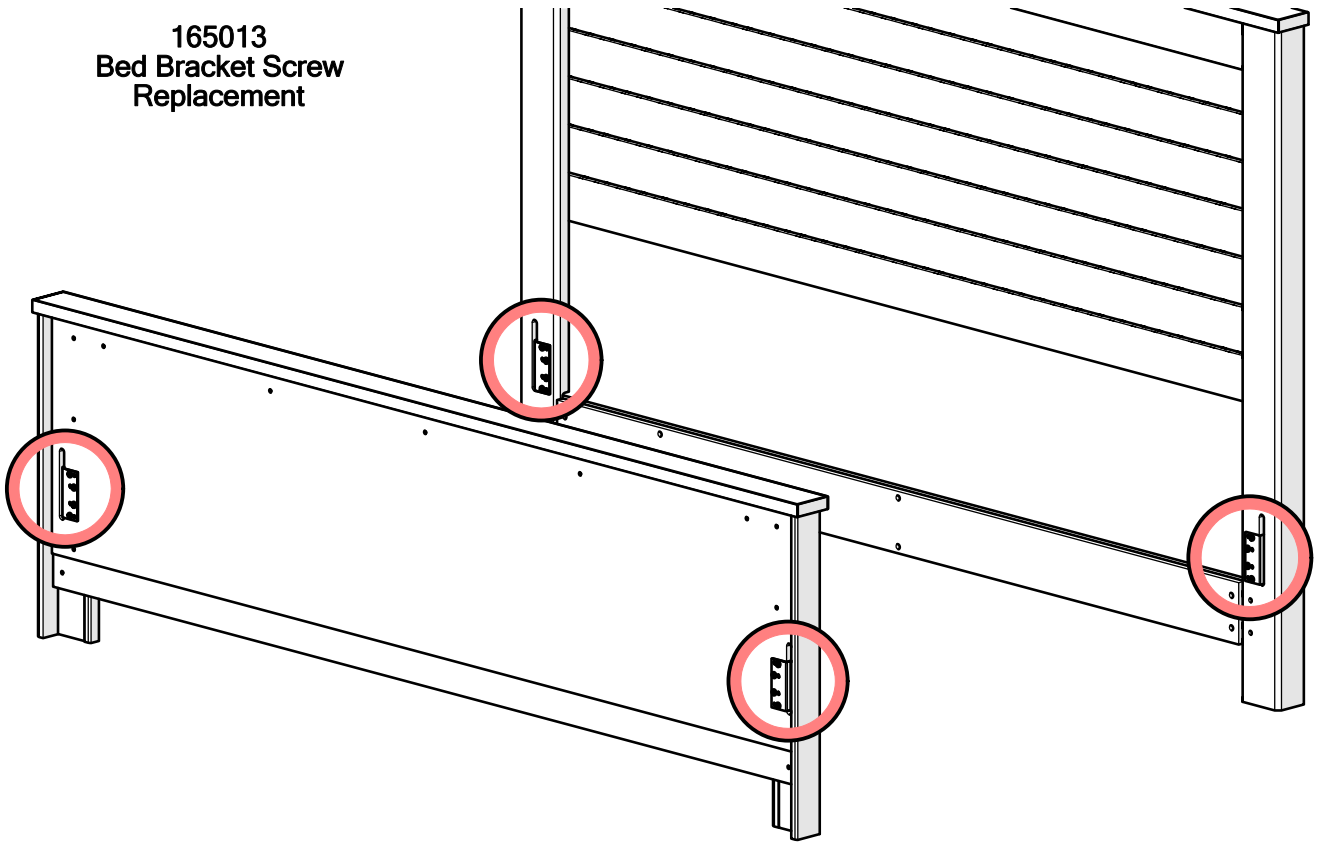
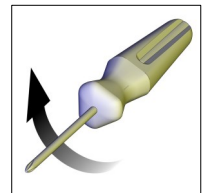
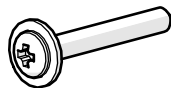
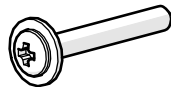
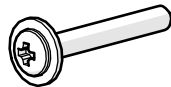
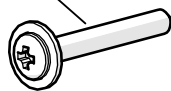


165013
Bed Bracket Screw
Replacement



1.

Remove
X16 Washer Head Screws



2.

Apply
X16 Flat Head Screws

